

Features

Build-in high accuracy A/D convertor for detecting charge full conditions of $-\Delta V$, or $0\Delta V$.

Noise filter logic design for reducing PCB's noise to meet high accuracy data collection.

Battery alive function for waking-up long time no use battery, which battery voltage is so low as no battery.

Charge current is settable (by external Resistor); and Pre/ Fast current are automatically adjusted for different battery voltage level.

Charge full detecting, $-\Delta V$, $0\Delta V$.

Charge time out protect.

Charge status indication by dual color LED for Power on/ Charge/ Full/ Defect.

Working voltage: 5.0V.

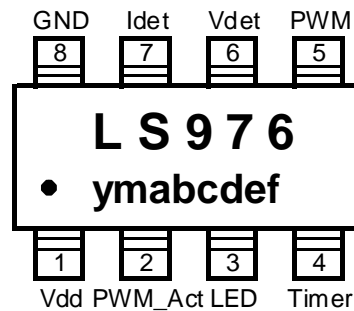
Marking: LS976

ymabcdef

ym: year / month.

abcdef: Wafer tracking code.

Package: SOP-8 (150 mil)



Pin Assignment

Pin No.	Name	I/O	Description
1	Vdd	P	Power Input (5.0V)
2	PWM_Act	I	PWM High/Low active select input
3	LED	O	LED charge status output
4	Timer	I	Charge time out select input
5	PWM	O	Charge loop switching control output
6	Vdet	I	Battery voltage detect input
7	Idet	I	Charge current setting/detect input
8	GND	P	Ground